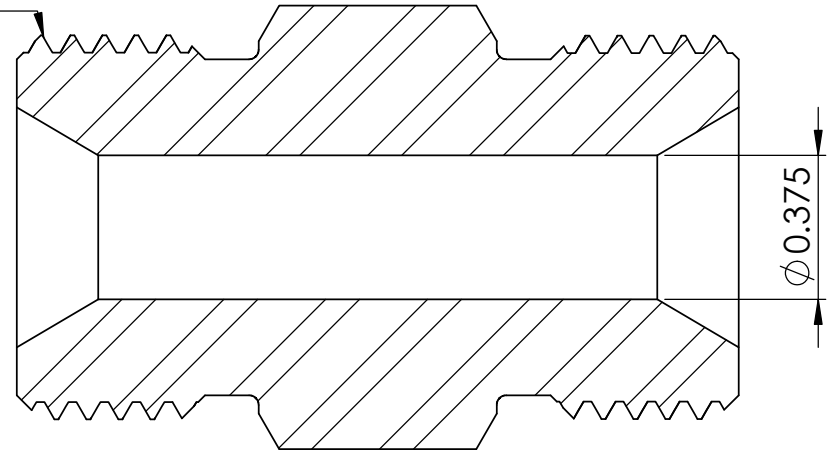


1" Type M Male  
 1"-12UN  
 PER MASTER\_M16 rev1  
 (BOTH SIDES)



SECTION A-A

REVISION NOTES AND DATES

UNLESS OTHERWISE SPECIFIED:

- 1) DIMENSIONS ARE IN INCHES
- 2) TOLERANCES:  
 FRACTIONAL  $\pm 1/64"$   
 ANGULAR: MACH  $\pm 2^\circ$   
 ONE PLACE DECIMAL  $\pm .020$   
 TWO PLACE DECIMAL  $\pm .010$   
 THREE PLACE DECIMAL  $\pm .005$
- 3) THREADS UNIFIED CLASS  
 2A - 2B
- 4) SURFACE FINISH 63 $\mu$ in Ra
- 5) CHAMFER THREADS:  
 MALE - 30° TO ROOT  
 FEMALE - 45° TO ROOT

	NAME	DATE
DRAWN	MH	3/1/2017
CHECKED	KH	3/1/2017
DATE STARTED IN PRODUCTION:		
3/1/2017		

**ULTRA PRESSURE COMPONENTS  
 HOUSTON, TX**

TITLE:  
 1" TYPE M MALE X 1" TYPE M MALE

SIZE <b>A</b>	DWG. NO. 5404-M16M16	REV 0
------------------	-------------------------	----------

SCALE: 2:1      WEIGHT: 0.33      SHEET 1 OF 1

**PROPRIETARY AND CONFIDENTIAL**  
 THE INFORMATION CONTAINED IN THIS DRAWING IS THE SOLE PROPERTY OF ULTRA PRESSURE COMPONENTS. ANY REPRODUCTION IN PART OR AS A WHOLE WITHOUT THE WRITTEN PERMISSION OF ULTRA PRESSURE COMPONENTS IS PROHIBITED.

